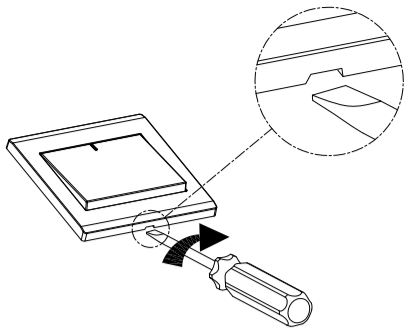
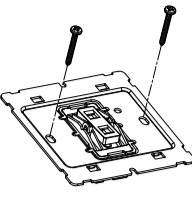
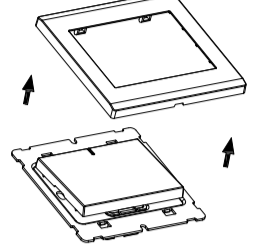
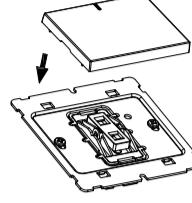
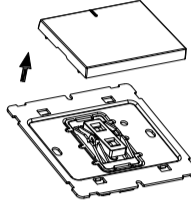
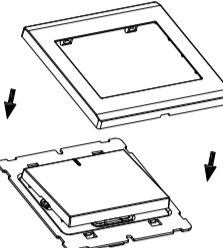
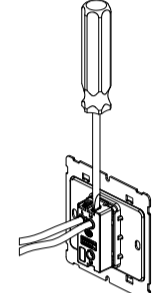
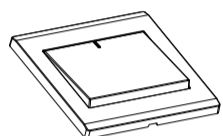
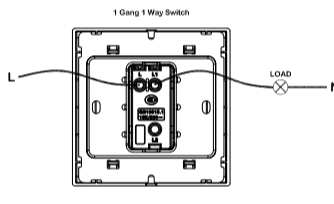
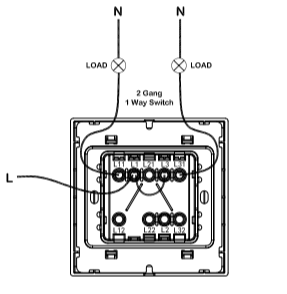
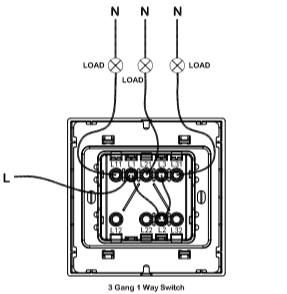
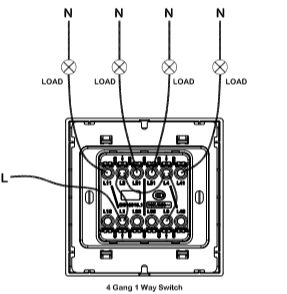
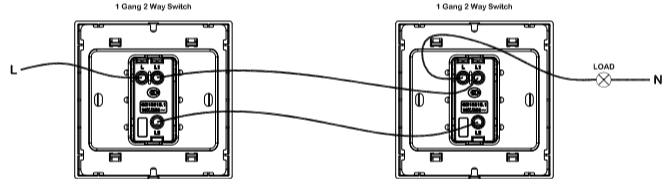
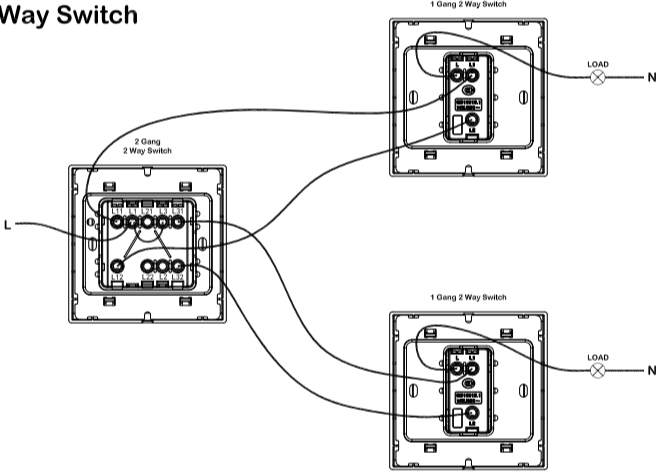
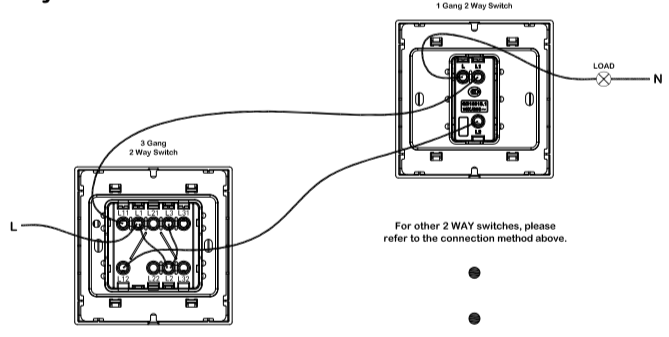
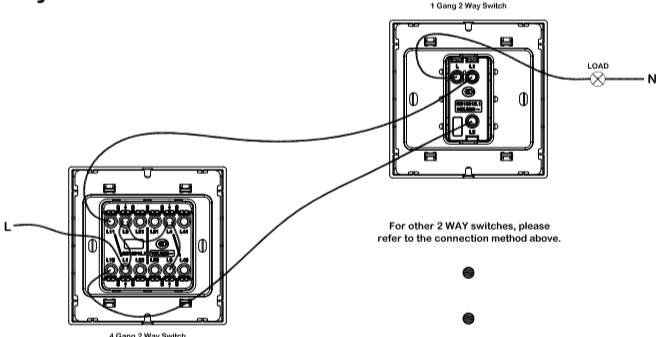
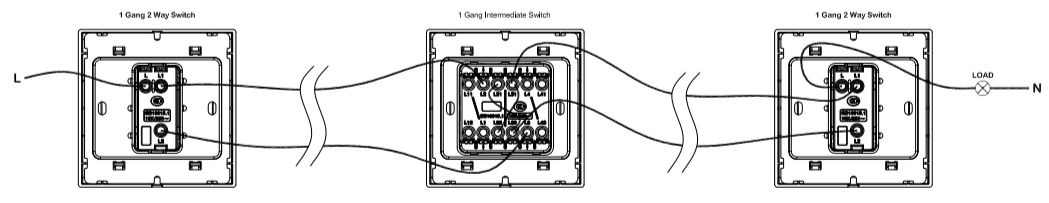
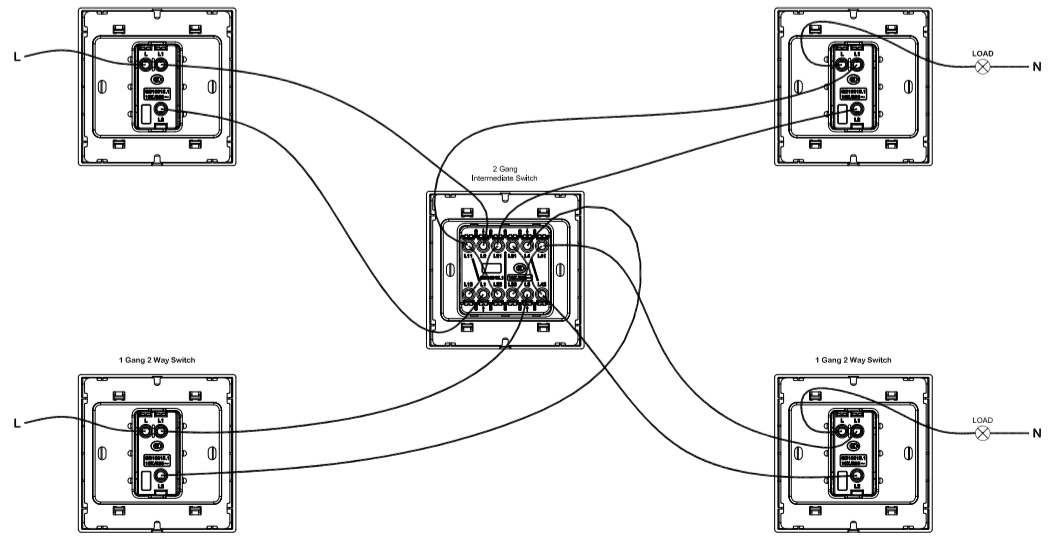
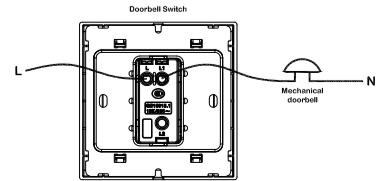


Mounting Instruction : Switch Type A

 <p>STEP 1 : Remove the frame according to the proper position shown in picture.</p>	 <p>STEP 5 : Install the screws. Please note that the mounting torque shall not be greater than 6kgf, otherwise the mounting plate will be deformed.</p>
 <p>STEP 2 : Remove the frame.</p>	 <p>STEP 6 : Install the button.</p>
 <p>STEP 3 : Remove the button.</p>	 <p>STEP 7 : Install the frame.</p>
 <p>STEP 4 : Wiring the product. Please refer to the wiring diagram for wiring modes of various products.</p>	 <p>STEP 8 : Complete the installation.</p>

Wiring Diagram : Switch Type A

<p>1 Gang 1 Way Switch</p> 	<p>2 Gang 1 Way Switch</p> 	<p>3 Gang 1 Way Switch</p> 	<p>4 Gang 1 Way Switch</p> 
<p>1 Gang 2 Way Switch</p> 		<p>2 Gang 2 Way Switch</p> 	
<p>3 Gang 2 Way Switch</p>  <p>For other 2 WAY switches, please refer to the connection method above.</p>		<p>4 Gang 2 Way Switch</p>  <p>For other 2 WAY switches, please refer to the connection method above.</p>	
<p>1 Gang Intermediate Switch</p> 			
<p>2 Gang Intermediate Switch</p> 			
<p>1 Gang Doorbell Switch with Mechanical doorbell.</p> 		<p>1 Gang Doorbell Switch with Ding Dong Buzzer.</p> 