

Mounting Instruction : 118 Product



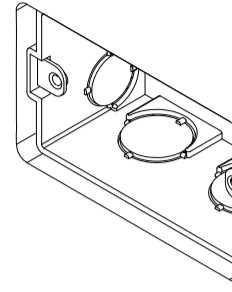
WARNING

Before installation, please read these Installation Instructions carefully.

1. To prevent the risk of electrocution, turn off the mains electricity supply before commencing work.
2. The device must be installed and connected by skilled electricians. Otherwise it may cause short circuit or even fire.

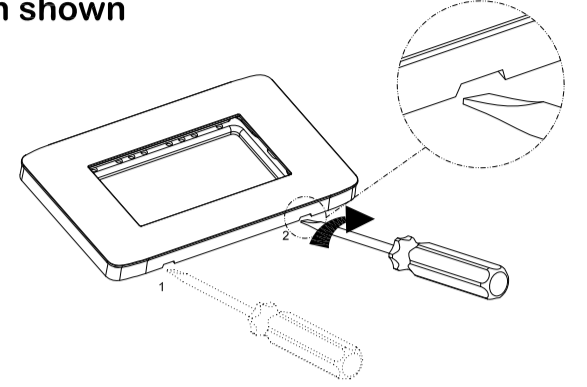
STEP
1

Clean the wall to keep the wall surface flat.



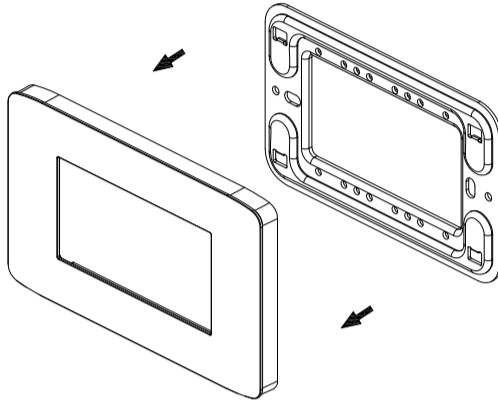
STEP
2

Remove the frame according to the proper position shown in picture.



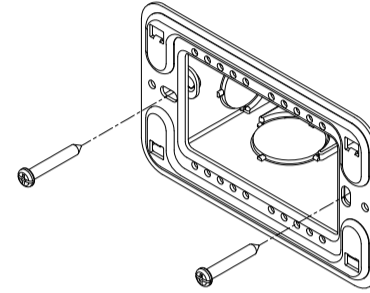
STEP
3

Separate the frame from the mounting plate.



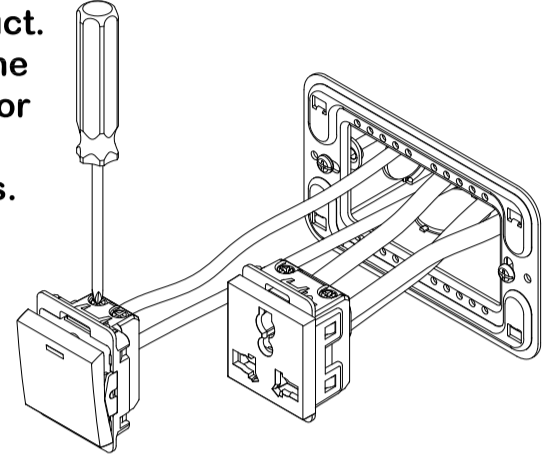
STEP
4

Install the screws. Please note that the mounting torque shall not be larger than 6kg-f, otherwise the mounting plate will be deformed.



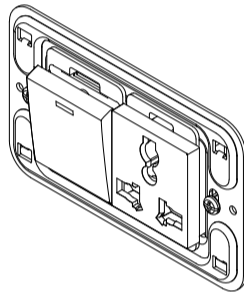
STEP
5

Wiring the product. Please refer to the wiring diagram for wiring modes of various products.



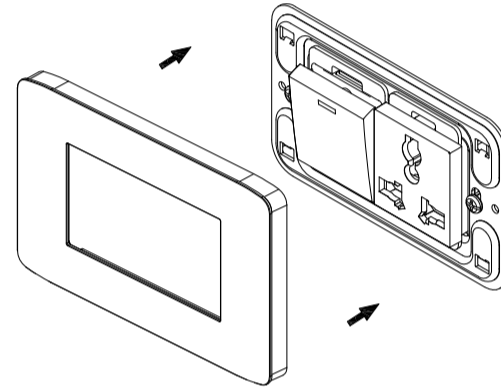
STEP
6

Install the module into the mounting plate.



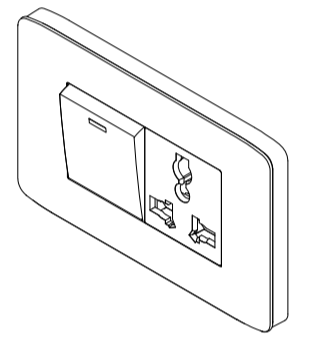
STEP
7

Install the frame.



STEP
8

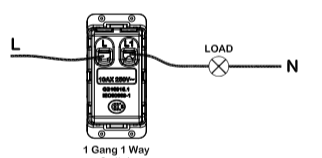
Complete the installation.



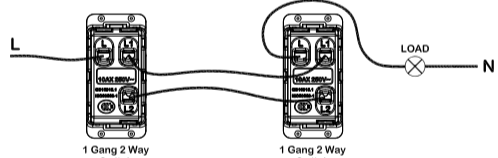
Wiring Diagram : 118 Product

Rocker Switch

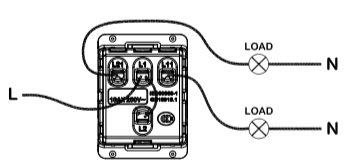
1 Gang 1 Way Switch



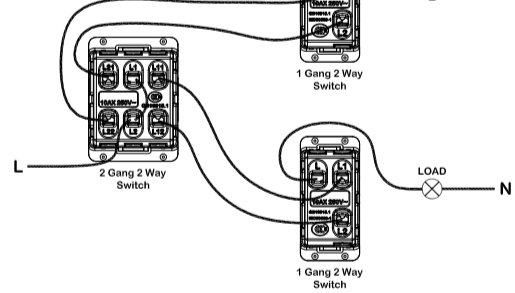
1 Gang 2 Way Switch



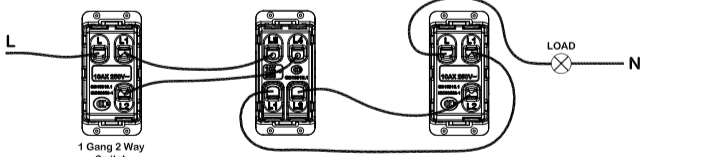
2 Gang 1 Way Switch



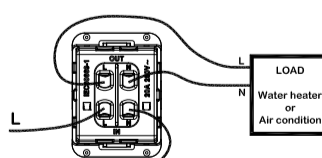
2 Gang 2 Way Switch



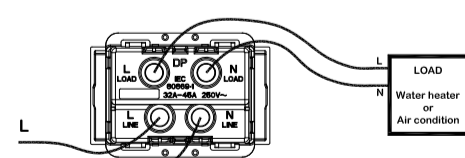
Intermediate Switch



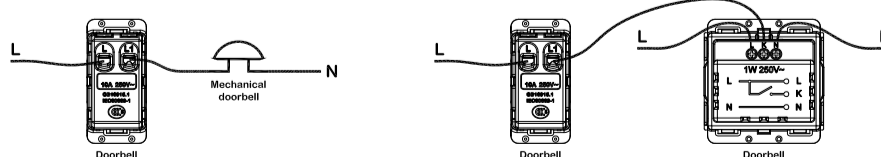
20A Double Pole Switch



45A Double Pole Switch

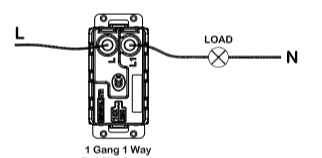


Doorbell Switch

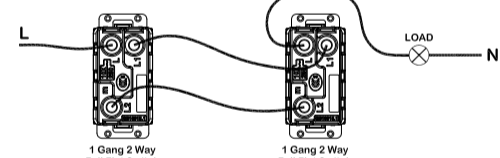


Full Flat Switch

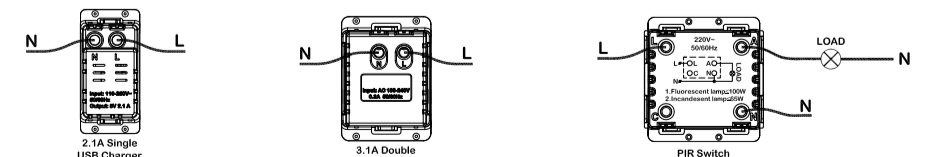
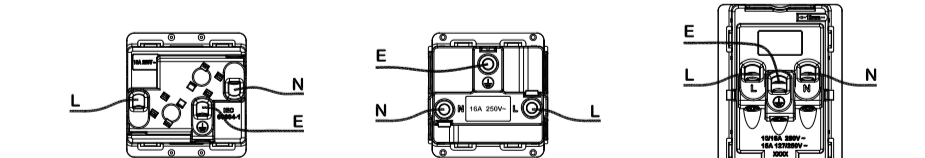
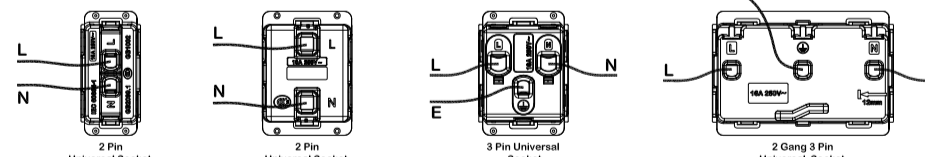
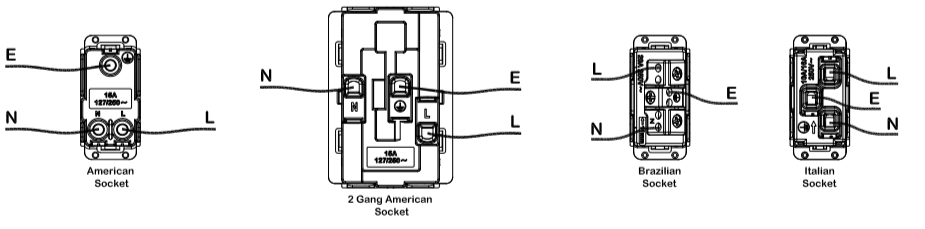
1 Gang 1 Way Switch



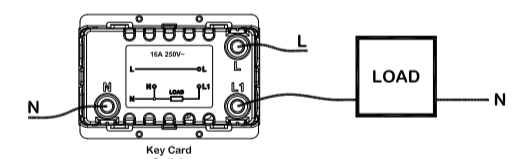
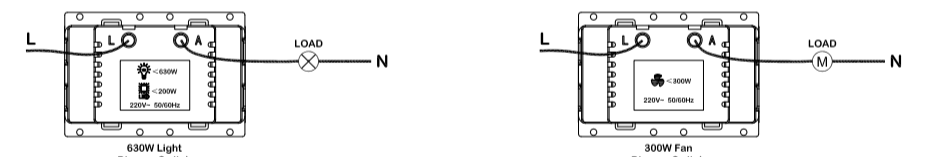
1 Gang 2 Way Switch



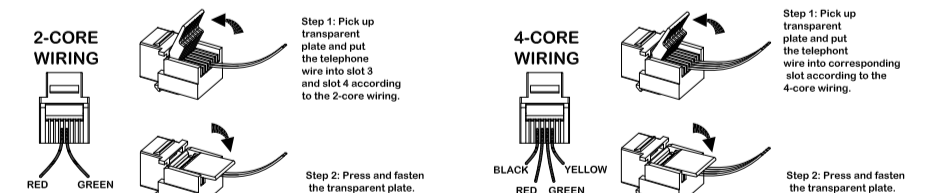
Sockets



Electronic Products



Wiring Diagram : Telephone RJ11



Wiring Diagram : Data RJ45

